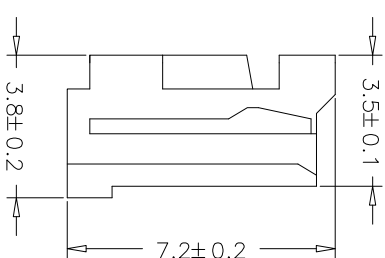
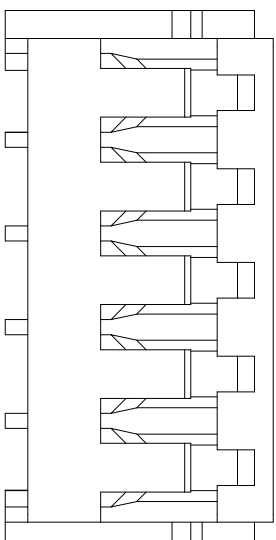
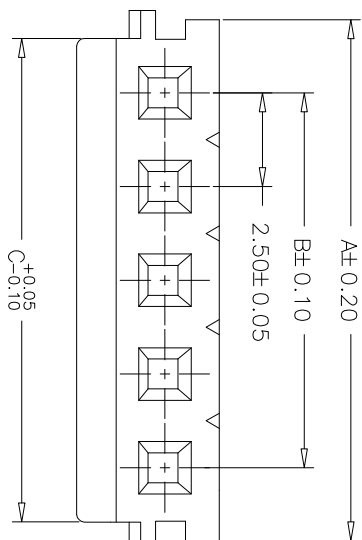


NOTES:

- Rated Current: 3.0AMP
- Rated Voltage: 250V AC,DC
- Contact Resistance: 20m\U+2126 max
- Insulation Resistance: 1000M\U+2126 min
- Withstanding Voltage: 800V AC/Minute
- Operation Temperature: -25°C to +85°C
- Insulator Material: Nylon66,UL94V-0
- Color: Natural(White)



Ordering Information

BT2504 H XX W 01 A19

No.Of Pins
02~15Pin

PART NO.	Dimensions		
	A	B	C
BT2504-H02W01	7.00	2.50	5.40
BT2504-H03W01	9.50	5.00	7.90
BT2504-H04W01	12.00	7.50	10.40
BT2504-H05W01	14.50	10.00	12.90
BT2504-H06W01	17.00	12.50	15.40
BT2504-H07W01	19.50	15.00	17.90
BT2504-H08W01	22.00	17.50	20.40
BT2504-H09W01	24.50	20.00	22.90
BT2504-H10W01	27.00	22.50	25.40
BT2504-H11W01	29.50	25.00	27.90
BT2504-H12W01	32.00	27.50	30.40
BT2504-H13W01	34.50	30.00	32.90
BT2504-H14W01	37.00	32.50	35.40
BT2504-H15W01	39.50	35.00	37.90

OPERATION	DRAW	SCALE	PART NO.
XX	Zhangyalin	-	BT2504HXXW01A19
±0.40	DESIGN	mm	
XXX		A4	
±0.25	CHECK	1/1	
XXX	Fanyijun		
±0.15	APPROVE		
Angle	Bill		
± 3'			
DM			
TOL			



BMA TECHNOLOGIES LTD

2.50mm Pitch Housing